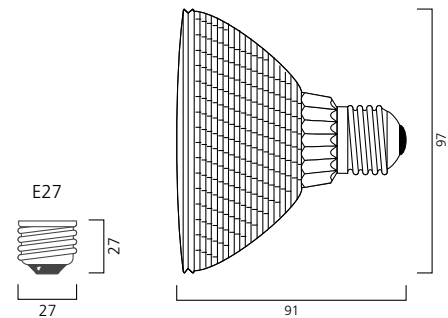
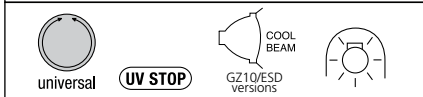


HI-SPOT® 95 ECO



- Xenon technology
- 20% energy savings compared to Hi-SPOT® 95 with same luminous intensity
- Uniform, symmetrical beam
- Less CO₂ emissions
- Unique 4 segmented W-shape filament for optimal focussing of light beam, resulting in less stray light
- For accent or decorative lighting in retail, commercial and domestic applications
- Less heat generation
- 100% dimmable
- Transformer free operation



30°		60W	80W
536mmØ	1m	2400lx	3500lx
1072mmØ	2m	600lx	875lx
1608mmØ	3m	266.7lx	390lx
2144mmØ	4m	150lx	220lx

Wattage Comparison	
60W	= 75W
80W	= 100W

HI-SPOT® 95 ECO

Code	Description	Watt	Volt	Beam Angle	Cap	Colour Temp	Luminous Intensity	Average Rated Life	Packing Qty.
Hi-SPOT 95 ECO*									
0021177	Hi-SPOT 95 ECO 60W FL30°	60W	230V	30°	E27	2900K	2200 cd	2500 hrs	15
0021179	Hi-SPOT 95 ECO 60W FL30°	60W	240V	30°	E27	2900K	2200 cd	2500 hrs	15
0021178	Hi-SPOT 95 ECO 80W FL30°	80W	230V	30°	E27	2900K	3500 cd	2500 hrs	15
0021180	Hi-SPOT 95 ECO 80W FL30°	80W	240V	30°	E27	2900K	3500 cd	2500 hrs	15
Hi-SPOT 95 ECO Dichroic*									
0021227	Hi-SPOT 95 ECO 60W FL30° D	60W	230V	30°	E27	2900K	2400 cd	2500 hrs	15
0021228	Hi-SPOT 95 ECO 60W FL30° D	60W	240V	30°	E27	2900K	2400 cd	2500 hrs	15

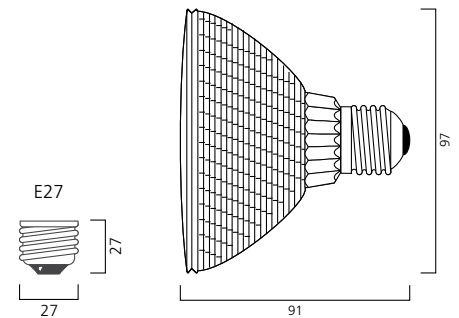
* To be available from September 2010



HI-SPOT® 95



- Halogen light without the need for a transformer
- Unique, patented, spiral faceted aluminised reflector
- 100% dimmable
- For use in mains voltage E27 cap downlights, spotlights and luminaires
- Use dichroic lamps for lighting food, textiles and other objects sensitive to heat
- Suitable for outdoor use when protected from direct contact with water



10°		75W	100W
175mmØ	1m	6900lx	10000lx
350mmØ	2m	1725lx	2500lx
525mmØ	3m	767lx	1111lx
700mmØ	4m	431lx	625lx

30°		75W	75W DIC	100W
536mmØ	1m	2200lx	2400lx	3500lx
1072mmØ	2m	550lx	600lx	875lx
1608mmØ	3m	244lx	267lx	389lx
2144mmØ	4m	138lx	150lx	219lx

HI-SPOT® 95

Code	Description	Watt	Volt	Beam Angle	Cap	Colour Temp	Luminous Intensity	Average Rated Life	Packing Qty.
Hi-SPOT 95									
0021230	Hi-SPOT 95 75W SP10°	75W	230V	10°	E27	2900K	6900 cd	3000 hrs	15
0021231	Hi-SPOT 95 75W FL30°	75W	230V	30°	E27	2900K	2200 cd	3000 hrs	15
0021234	Hi-SPOT 95 100W SP10°	100W	230V	10°	E27	2900K	10000 cd	3000 hrs	15
0021235	Hi-SPOT 95 100W FL30°	100W	230V	30°	E27	2900K	3500 cd	3000 hrs	15
0021232	Hi-SPOT 95 75W SP10°	75W	240V	10°	E27	2900K	6900 cd	3000 hrs	15
0021233	Hi-SPOT 95 75W FL30°	75W	240V	30°	E27	2900K	2200 cd	3000 hrs	15
0021236	Hi-SPOT 95 100W SP10°	100W	240V	10°	E27	2900K	10000 cd	3000 hrs	15
0021237	Hi-SPOT 95 100W FL30°	100W	240V	30°	E27	2900K	3500 cd	3000 hrs	15
Hi-SPOT 95 Dichroic									
0021291	Hi-SPOT 95 75W FL30° D	75W	230V	30°	E27	2900K	2400 cd	3000 hrs	15
0021293	Hi-SPOT 95 75W FL30° D	75W	240V	30°	E27	2900K	2400 cd	3000 hrs	15